
RUNTAL FOLIO CORNER

KING & MIRANDA



runtal

RUNTAL FOLIO CORNER. The extremely flat surface, the closed edge all round and the gently tapering silhouette – RUNTAL FOLIO CORNER appeals with its unusually light and floating appearance. The design of this radiator, which has a projection of only 16 millimetres, has only been made possible by the development of novel design elements and composites. The strikingly flat shape of the RUNTAL FOLIO CORNER is a result of innovative heating technology. Depending on the material and colour, it either integrates harmoniously into the bathroom environment or forms a complementary accessory to it. Rounded corners, either one or two towel holders and finishes made from oak, wenge, high-grade macassar or anodised aluminium allow the heat to flow into the room elegantly and efficiently. RUNTAL FOLIO CORNER – Our lightest radiator ever.





RUNTAL FOLIO CORNER KING & MIRANDA

Englishman Perry A. King and Spaniard Santiago Miranda rank among the most prominent names on the international design scene. Since founding their own studio, "King-Miranda Associati", in Milan in 1976, they have worked for an international clientele as architects, interior designers and product designers. Their distinctive style combines functional and technological innovation with cultural and emotional connotations. King-Miranda are the authors of numerous publications, jurors in international design competitions, and active participants in research and teaching. In 2000, Perry A. King was presented with the Royal Designer for Industry (RDI) award by the Royal Society of Arts, London. In 1989, Santiago Miranda was awarded the Premio Nacional de Diseño Español and, in 1995, the Premio Andalucía de Diseño.



In addition to the designer radiator RUNTAL FOLIO CORNER, the duo have designed and realised a number of other products for the Gränichen-based Zehnder Group, such as the RUNTAL VELUM, a multi international award winner, and the Zehnder Metropolitan.





EXTREMELY FLAT AND ULTRALIGHT HONEYCOMB STRUCTURE WITH A NATURAL GRAPHITE CORE.

PRODUCT DESCRIPTION

The RUNTAL FOLIO CORNER is characterised by its compact design, lightness of form as well as its closed edge all round. Depending on its height, it is equipped with one or two chrome-plated towel rails that are open to one side, in order to allow the towels to be hung up easily. RUNTAL FOLIO CORNER is designed both for connection to the hot water central heating and for purely electric operation with a programmable control unit and, optionally, with conventional connections as well as a completely newly developed, integrated valve variant.

DESIGN

The core of this designer radiator is a copper heating register (1) embedded in a honeycomb structure made from aluminium (2) which is enclosed by expanded natural graphite (3). Thanks to this special, newly developed design and innovative production technology, Runtal has succeeded in developing this very slim and ultralight radiator without making any compromises in terms of performance. The natural graphite used is an innovative material with ideal properties such as high thermal accumulation, low density and resistance to ageing.

WOOD VENEER FINISH

(Actual colours may vary slightly from those shown)



Oak



Wenge



Macassar

ALUMINIUM FINISH

(Actual colours may vary slightly from those shown)



Powder-coated
(see Runtal colour chart)

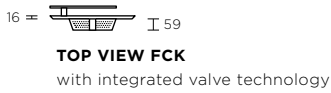
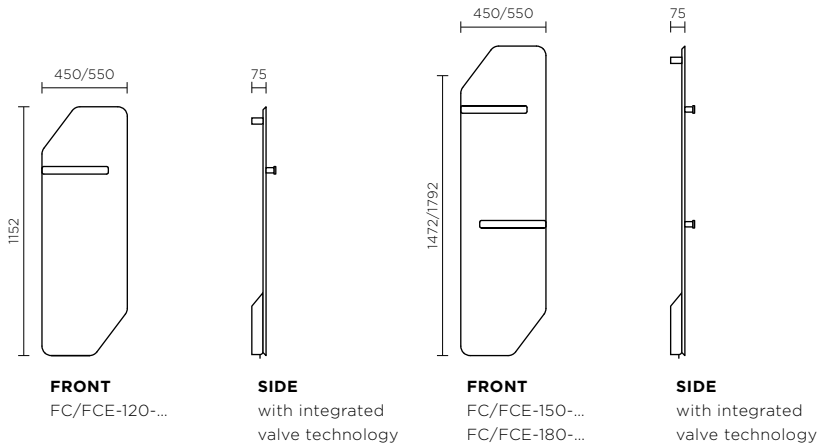


Natural anodised

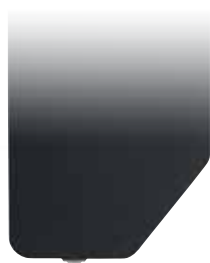


Anodised black

TECHNICAL SPECIFICATIONS



TOWEL RAIL
for FC/FCK/FCE



CONTROL ELEMENT
for controlling for FCK with integrated valve technology



CONTROL UNIT
for FCE

TECHNICAL DATA

| | |
|--------------|---|
| Name | FC (without integrated valve technology) FCK with integrated valve technology) FCE (electric only) |
| Height | 1152/1472/1792 mm |
| Width/length | 450/550 mm |
| Connections | For hot water central heating, flow/return behind radiator for connection to connection box at rear consisting of connection fitting with connection dimension 50 mm, integrated handwheel underneath radiator, optional flow/return 1/2" at bottom vertical, with 50 mm central connection, air vent to rear |
| Valves | See Accessories price list |
| Colour | Aluminium powder-coated front panel, available in all colours in the Runtal colour chart and in the surface finishes listed |
| Heat output | 409 - 792 W 350/500/750 W (electric only) |
| Standard | CE |

ZEHNDER GROUP INTERNATIONAL SALES

Almweg 34, D-77933 Lahr

T +49 78 21 586-392, F +49 78 21 586-406

international.sales@zehndergroup.com

www.runtal.com

A member company of the Zehnder Group.

runtal